

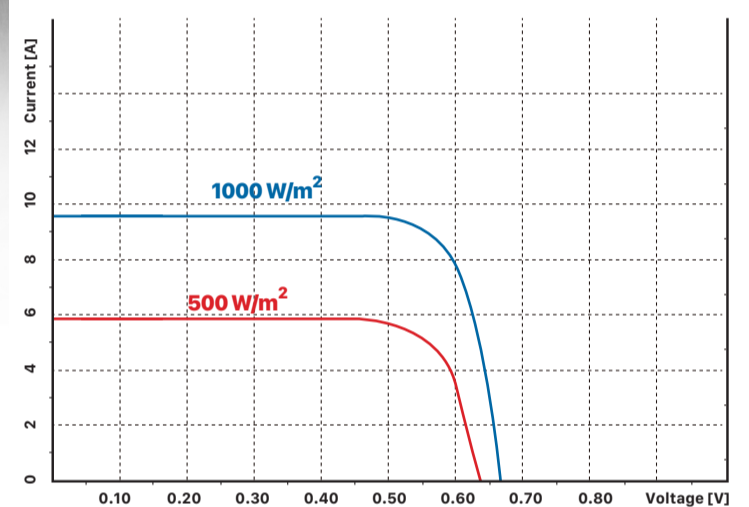
### FEATURES

- Color uniformity
- Higher peel strength and higher electricity power output
- Tighter product performance distribution and 0.1% efficiency step reduces the mismatch power loss during module assembly
- Innovative 5-busbar technology obtains more concentrated cell efficiency distribution and effectively reduces current loss induced by micro-crack
- Excellent PID free performance
- Low reverse leakage current

### PRODUCTION AND QUALITY CONTROL

- Standard cells calibrated by Fraunhofer ISE
- LID monitoring
- Peel strength control
- Reverse current screening

### CURVE



## IR - M156 - 5BB

No.	Efficiency (%)	Pmpp (W)	Umpp (V)	Impp (A)	Uoc (V)	Isc (A)	FF (%)
01	20.70-20.80	5.03	0.567	8.87	0.663	9.56	79.51
02	20.60-20.70	5.01	0.565	8.86	0.661	9.54	79.73
03	20.50-20.60	4.98	0.564	8.82	0.660	9.51	79.23
04	20.40-20.50	4.95	0.562	8.81	0.658	9.51	79.18
05	20.30-20.40	4.93	0.560	8.81	0.656	9.50	78.70
06	20.20-20.30	4.90	0.558	8.78	0.654	9.48	79.06
07	20.10-20.20	4.88	0.558	8.75	0.654	9.48	78.87
08	20.00-20.10	4.86	0.556	8.74	0.652	9.49	78.50
09	19.90-20.00	4.83	0.554	8.72	0.650	9.48	78.41

### MECHANICAL DATA AND DESIGN

Format	156 mm × 156 mm ± 0.5mm
Thickness	200 ± 20 μm
Front (-)	0.8 mm busbars (silver), blue anti-reflecting coating (silicon nitride)
Back (+)	1.93 mm wide soldering pads (silver) back surface field (aluminum)

### STANDARD TEST CONDITIONS (STC)

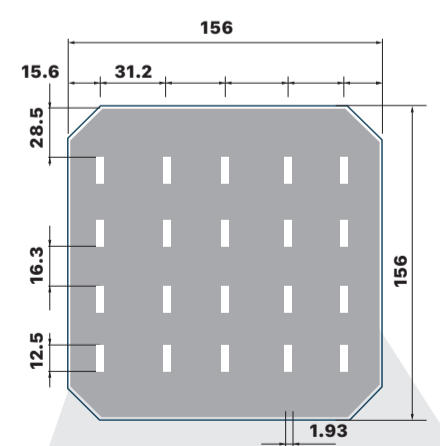
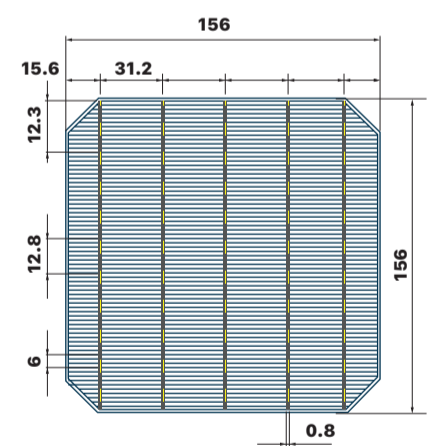
Light intensity	1000 W/m <sup>2</sup>
Spectrum	AM1.5G
Temperature	25°C

### TEMPERATURE COEFFICIENTS

α (Isc)	+ 0.05%/K
β (Voc)	- 0.30%/K
γ (Pmpp)	- 0.41%/K

### PACKING INFORMATION

Container	20' GP	40' GP
Pallets Per Container	14	28
Pieces Per Container	224000	448000



## IREX ENERGY JOINT STOCK COMPANY

**Add:** No 47, Le Van Thinh Street, Quarter 5, Binh Trung Dong Ward, District 2, HCMC, Vietnam  
**Tel:** (+84.28) 7300 1559 | **Fax:** (+84.28) 6255 8093 | **Email:** info@irex.vn | **Website:** irex.vn  
**Factory:** Street 9, Phu My 1 Industrial Zone, Tan Thanh District, Ba Ria - Vung Tau Province, Vietnam  
**Tel:** (+84.254) 392 3594 | **Fax:** (+84.254) 392 3594

